

Branch Offices

AHMEDABAD

B-802, Iscon Elegance, Nr. Prahlad Nagar Corner,
Opp. Karnavati Club, S.G. Highway, Ahmedabad-380 051
Ph.: 079 - 66168835 | E-mail: ahmedabad@hplindia.com

BANGALORE

No.2D, IInd Floor, Farah Winsford,
133, Infantry Road, Bangalore - 560 001
Ph.: 080-22863068/69
E-mail: bangalore@hplindia.com

BHUBANESWAR

N3-135, IRC Village, Nayabali, Behind
Old Sai Baba Temple, Bhubaneswar-751 012
Ph.: 0674-6538226
E-mail: orissa@hplindia.com

CHANDIGARH

Plot No. 57, 5th Floor Industrial & Business Park,
Phase-1, Chandigarh - 160002
Ph.: 0172-2639157 | E-mail : chandigarh@hplindia.com

CHENNAI

"Amar Sindur" S-4, 2nd Floor, No.-43, Pantheon Road,
Egmore, Chennai-600 008
Ph.: 044-28551530, 28551537 | Fax : 044-42638243
E-mail: chennai@hplindia.com

COCHIN

2nd Floor, A.K.S. Mahal Building, XL/7813J,
Achutha Warriar Lane, M.G.Road,Ernakulam,
Cochin-682 035 | Telefax : 0484-2354595
E-mail: cochin@hplindia.com

COIMBATORE

Designer Complex, Door No.130, C /2, 2nd Floor,
Dr. Nanjappa Road, Coimbatore - 641018
Ph.:0422-4393995 | E-mail : coimbatore@hplindia.com

DEHRADUN

09/4/6, 1st Floor, East Canal Road, Dehradun-248001
Ph.: 0135-2710567, 2710587
E-mail: Uttranchal@hplindia.com

GUWAHATI

Rajgarh Road, Opposite China Town
Restaurant Guwahati - 781 003
Ph.: 0361-2450889 | E-mail: guwahati@hplindia.com

HUBLI

9-10, 1st Floor, Vernekar Plaza, Desh Pande
Nagar, Hubli-580029
Ph.: 0836-4251463 | E-mail : hubli@hplindia.com

HYDERABAD

No. 7-1-58, flat No.403, 4th Floor, Concourse Building,
Green Lands Road, Hyderabad - 500 016
Ph.: 040-40035959 | E-mail: hyderabad@hplindia.com

INDORE

203, Millinda Manor 2 RNT Marg, Near Ravindra
Natya Grah, Indore- 452 001,
Ph.: 0731-4280525, 4225540
E-mail: Indore@hplindia.com

JAIPUR

512, 5th floor, Plot No. 8-9, Corporate Park,
Gopal Bari, Ajmer Road Jaipur - 302 001
Ph. : 0141-4021035 | E-Mail: jaipur@hplindia.com

JAMMU

Plot No.86 Yard No.6 Transport Nagar,
Jammu- 180006
E-mail: jammu@hplindia.com

KANPUR

17/14, 2nd Floor, Opposite Nanarao Park,
The Mall, Kanpur - 208 001 (U.P.)
Ph.: 0512-2316017 | E-mail: kanpur@hplindia.com

KOLKATA

69, Ganesh Chandra Avenue, India House
7th Floor, Block-C, Kolkata - 700 013
Ph.: 033-65394379 | E-Mail: calcutta@hplindia.com

LUCKNOW

1st Floor, Jain Building, 14/A5, Park Road
Hazratganj, Lucknow
Ph.: 0522-4021687 | E-Mail: lucknow@hplindia.com

LUDHIANA

698 - D, Model Town, Extn.,
Opp. silverstone Hotel, Ludhiana-141 003
Ph. : 0161-4062877 | E-Mail : ludhiana@hplindia.com

MUMBAI

2C/H, Rushabh Chambers 2nd Floor, Off-Makwana Road,
Near Rubi Hotel Marol Andheri East Mumbai - 400 059
Ph.: 022-61830810-20 Telefax: 022-28528181
E-mail: mumbai@hplindia.com

NAGPUR

Jagtap House, Plot No. 07, 1st Floor, Ganesh Gruh
Nirman Society, Near Ganesh Mandir, Ring Road,
Pratap Nagar, Nagpur - 440022,
Ph.: 0712-2222988 | E-mail: nagpur@hplindia.com

PATNA

Hem Plaza, 5th Floor - 510 Fraser Road,
Patna - 800001(Bihar)
Ph. : 09334697299 | E-mail: patna@hplindia.com

PUNE

Sunrise Skyline 3rd Floor, Plot No. 28/2 Scheme No.11B
Opp. MSEB Office Somwar Peth, Pune - 411 001
Ph. : 020-69200902 | E-mail: pune@hplindia.com

RAIPUR

1st Floor, Near Holy Heart School Chhattisgarh
College Road, Civil Line, Raipur (C.G.)-492 006
Ph.:0771-6541590 | E-mail : raipur@hplindia.com

RANCHI

203, Mahalaxmi Complex, Line Tank Road,
2nd Floor Ranchi - 834 001
Telefax : 0651-2206144 | E-mail : ranchi@hplindia.com

SILIGURI

1st Floor, Parasuna Bhawan, Ward No.13,
Udham Singh Sarani, Asram Para,
Siliguri-734001

VADODARA

409/410, Silver Oak Complex, Near Sainik Park Char Rasta,
Productivity Road, Akota, Vadodara - 390020 Gujarat
Ph.: 0265-2341747 Fax:0265-2352107
E-mail : baroda@hplindia.com

VIJAYAWADA

D.No.-29-37-135, 2nd Floor, G. R. Plaza, Eluru Road,
Beside Canara Bank, Vijayawada-520 002
Ph.: 0866-6622291 | E-mail : vijayawada@hplindia.com

VIZAG

B.K. Towers, 49-34-1/63, 3rd Floor Akka Yyapalem
Main Road, NH-5 Junction, Vizag-530 016 (A.P.)
Ph.: 0891-2794506 | E-mail : vizag@hplindia.com

Resident Office

Agartala	Balasore	Davangere	Jharsuguda	Moradabad	Silchar	Vapi
Agra	Belgaum	Durg	Jodhpur	Mysore	Surat	Varanasi
Allahabad	Berhampur	Goa	Kanyakumari	Nagercoil	Sholapur	Vellore
Anantpuram	Bhilai	Gorakhpur	Kolhapur	Nasik	Srinagar	
Aurangabad	Bhopal	Gulbarga	Kota	Patiala	Sambalpur	
Amravati	Bilaspur	Jabalpur	Madurai	Pondicherry	Tirupati	
Akola	Bijapur	Jabli	Malda	Rajkot	Trichy	
Angul	Calicut	Jamshedpur	Mangalore	Rourkela	Trivandrum	
Bareilly	Cuttack	Jalandhar	Meerut	Salem	Udaipur	



HPL Electric & Power Ltd

Corp. Office : Windsor Business Park, B-1D, Sector-10,
Noida, U.P. - 201301, INDIA. | Tel.: +91-120-4656300
Registered Office : 1/21, Asaf Ali Road, New Delhi - 110 002, INDIA.
E-mail : hpl@hplindia.com; enquiry@hplindia.com

Customer Care No. :
1800 419 0198

www.hplindia.com



Lighting to
Infuse Life In
Open Area



www.hplindia.com

AREA LIGHTING
Catalogue

Making Cities Live!

HPL has installed more than 3,00,000 of LED Flood lights across the country and is Part of Smart City & many other prestigious projects.



Benefits of HPL LED Flood Light

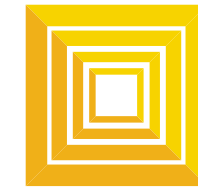


Energy Savings
Highly efficient leds ensures saving upto 85%



Maintenance free

Maintenance Free
The highly efficient electronic drivers ensures maintenance free and long service life



Compact & Sleek Design

Compact & Sleek Design

Elegantly designed fittings which ensures large stream of applications – offices, Residuals, Hotels, Restaurants, Shopping Malls and Hospitality.



Eco Lighting Solution

LED lighting is a pollution free solution without any mercury or lead content



long life

Long Life

The life of LED is 50,000 hrs., which makes a perfect lighting solution as it ensures high energy saving with long service life.



Solutions

HPL Offers you a full scope solution from design to after-sales services, including lighting, intelligent control systems and many other smart options



GALAXY

LED Flood Light 100W to 350W



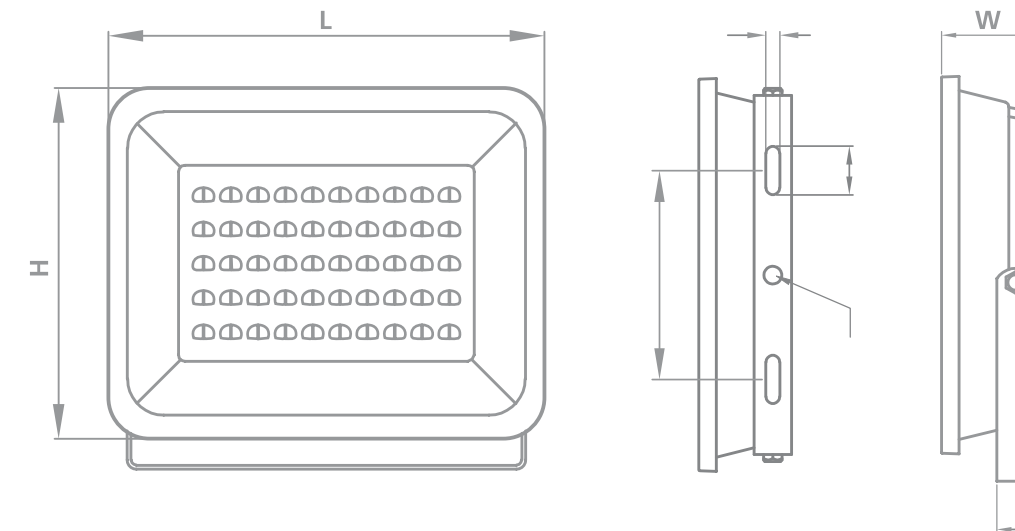
Special Features

- Housing** : High grade Aluminium pressure die-cast.
 - Lamp Efficacy** : LED with more than 120 lm/w.
 - Optics** : Wide beam angle of LED & desired spread using reflector & high quality lenses.
 - Thermal** : Efficiently heat dissipation using high Conductive Compound & Housing.
 - Protections** : Under Voltage, Over Voltage, Surge protection up to 4KV, Isolation up to 1.5KV, Open loop & short circuit.
 - Ingress Protection** : IP66
 - Energy Saving** : Up to 60% compare to Conventional Flood Light.
- Fixture & LED Lamp conform to LM79 & LM80 respectively.

Applications

- City Roads / Highways
- Periphery / Security Lighting
- Industry & Office Campuses
- Parking Areas
- Parks & Gardens.

Line Diagram & Dimensions



Wattage	'L' Length	'W' Width	'H' Height
100W	338mm	132mm	252mm
120W	338mm	132mm	252mm
150W	338mm	132mm	252mm
180W	387mm	138mm	300mm
200W	387mm	138mm	300mm



GALAXY

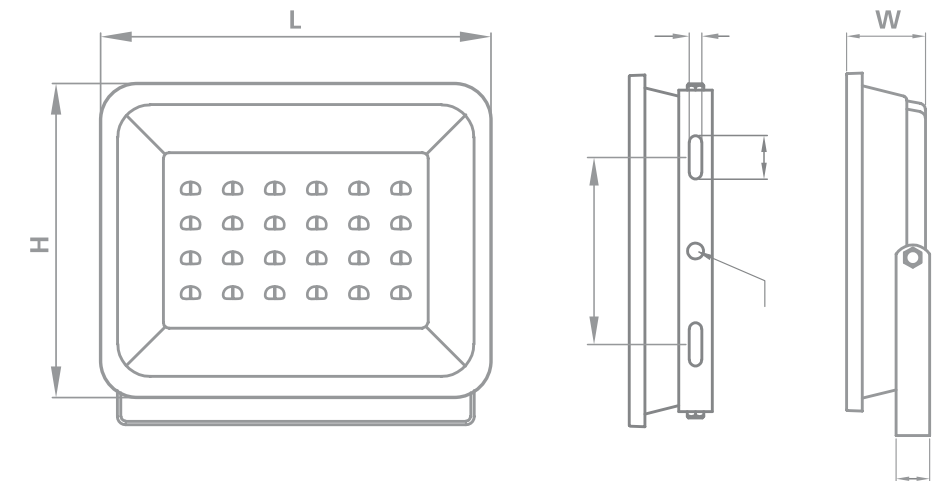
LED Flood Light 45W to 90W



Special Features

- Housing** : High grade Aluminium pressure die-cast.
 - Lamp Efficacy** : LED with more than 120 lm/w.
 - Optics** : Wide beam angle of LED & desired spread using reflector & high quality lenses.
 - Thermal** : Efficiently heat dissipation using high Conductive Compound & Housing.
 - Protections** : Under Voltage, Over Voltage, Surge protection up to 4KV, Isolation up to 1.5KV, Open loop & short circuit.
 - Ingress Protection** : IP66
 - Energy Saving** : Up to 60% compare to Conventional Flood Light.
- Fixture & LED Lamp conform to LM79 & LM80 respectively.

Line Diagram & Dimensions



Wattage	'L' Length	'W' Width	'H' Height
45W	245mm	125mm	185mm
60W	287mm	143mm	237mm
72W	287mm	143mm	237mm
80W	287mm	143mm	237mm
90W	287mm	143mm	237mm

Applications

- City Roads / Highways
- Periphery / Security Lighting
- Industry & Office Campuses
- Parking Areas
- Parks & Gardens.



GALAXY

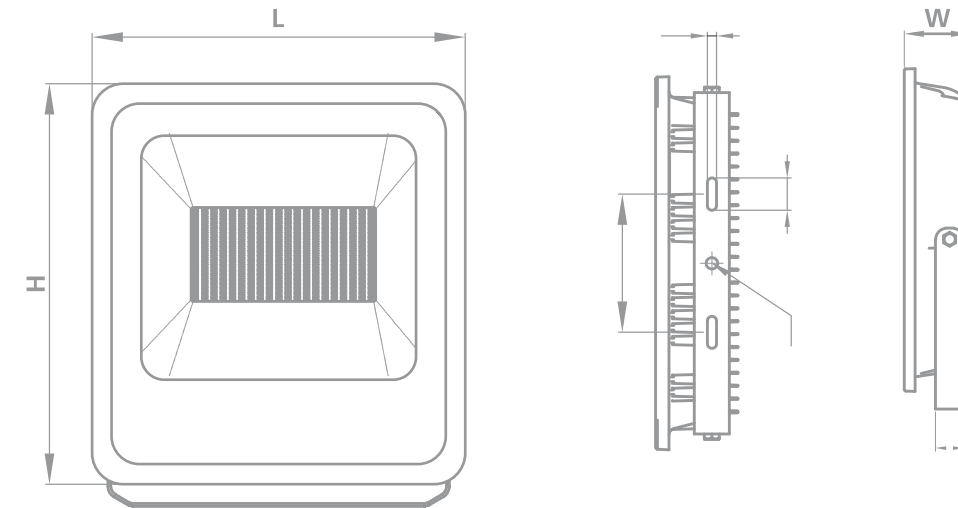
LED Flood Light 30W-150W



Special Features

- Housing** : High grade Aluminium pressure die-cast.
 - Lamp Efficacy** : LED with more than 120 lm/w.
 - Optics** : Wide beam angle of LED & desired spread using reflector & high quality lenses.
 - Thermal** : Efficiently heat dissipation using high Conductive Compound & Housing.
 - Protections** : Under Voltage, Over Voltage, Surge protection up to 4KV, Isolation up to 1.5KV, Open loop & short circuit.
 - Ingress Protection** : IP66
 - Energy Saving** : Up to 60% compare to Conventional Flood Light.
- Fixture & LED Lamp conform to LM79 & LM80 respectively.

Line Diagram & Dimensions



Wattage	'L' Length	'W' Width	'H' Height
30W	226mm	50.3mm	220mm
60W	282mm	62.22mm	271mm
100W	282mm	78.5mm	302mm
120W	337mm	80mm	365mm
150W	337mm	86mm	367mm

Applications

- City Roads / Highways
- Periphery / Security Lighting
- Industry & Office Campuses
- Parking Areas
- Parks & Gardens.



Varanasi Ghat Illuminate by HPL LED Lighting



Our Installations





Canopy Light

60W to 100W



Special Features

- Housing** : High grade Aluminium pressure die-cast.
- Lamp Efficacy** : LED with more than 130 lm/w.
- Optics** : Wide beam angle of LED & desired spread using reflector & high quality lenses.
- Thermal** : Efficiently heat dissipation using high Conductive Compound & Housing.
- Protections** : Under Voltage, Over Voltage, Surge protection up to 4KV, Isolation up to 1.5KV, Open loop & short circuit.
- Ingress Protection** : IP66
- Energy Saving** : Up to 60% compare to Conventional Flood Light.
Fixture & LED Lamp conform to LM79 & LM80 respectively.

Applications

- City Roads / Highways
- Periphery / Security Lighting
- Industry & Office Campuses
- Parking Areas
- Parks & Gardens.





Reference Codes

Product Code	Wattage	Efficacy	CCT	CRI	IP	IK	PF	THD	Driver Efficiency	Diffuser Type
HPLLEDFL3060P	30W	100 lm/W	5700K±300K	80	IP65	IK-07	0.95	10%	85%	Glass
HPLLEDFL4560P	45W	100 lm/W	5700K±300K	80	IP65	IK-07	0.95	10%	85%	Glass
HPLLEDFL5060P	50W	100 lm/W	5700K±300K	80	IP65	IK-07	0.95	10%	85%	Glass
HPLLEDFL6060P	60W	100 lm/W	5700K±300K	80	IP65	IK-07	0.95	10%	85%	Glass
HPLLEDFL7260P	72W	100 lm/W	5700K±300K	80	IP65	IK-07	0.95	10%	85%	Glass
HPLLEDFL8060P	80W	100 lm/W	5700K±300K	80	IP65	IK-07	0.95	10%	85%	Glass
HPLLEDFL9060P	90W	100 lm/W	5700K±300K	80	IP65	IK-07	0.95	10%	85%	Glass
HPLLEDFL10060P	100W	100 lm/W	5700K±300K	80	IP65	IK-07	0.95	10%	85%	Glass
HPLLEDFL12060P	120W	100 lm/W	5700K±300K	80	IP65	IK-07	0.95	10%	85%	Glass
HPLLEDFL15060P	150W	100 lm/W	5700K±300K	80	IP65	IK-07	0.95	10%	85%	Glass

HPLLEDFL4560S	45W	100 lm/W	5700K±300K	80	IP65	IK-07	0.95	10%	85%	Glass
HPLLEDFL6060S	60W	100 lm/W	5700K±300K	80	IP65	IK-07	0.95	10%	85%	Glass
HPLLEDFL7260S	72W	100 lm/W	5700K±300K	80	IP65	IK-07	0.95	10%	85%	Glass
HPLLEDFL8060S	80W	100 lm/W	5700K±300K	80	IP65	IK-07	0.95	10%	85%	Glass
HPLLEDFL9060S	90W	100 lm/W	5700K±300K	80	IP65	IK-07	0.95	10%	85%	Glass
HPLLEDFL10060S	100W	100 lm/W	5700K±300K	80	IP65	IK-07	0.95	10%	85%	Glass
HPLLEDFL12060S	120W	100 lm/W	5700K±300K	80	IP65	IK-07	0.95	10%	85%	Glass
HPLLEDFL15060S	150W	100 lm/W	5700K±300K	80	IP65	IK-07	0.95	10%	85%	Glass
HPLLEDFL18060S	180W	100 lm/W	5700K±300K	80	IP65	IK-07	0.95	10%	85%	Glass

Product Code	Wattage	Efficacy	CCT	CRI	IP	IK	PF	THD	Driver Efficiency	Diffuser Type
HPLLEDFL20060S	200W	100 lm/W	5700K±300K	70	IP65	IK-07	0.95	10%	85%	Glass

HPLLEDFL4560D	45W	100 lm/W	5700K±300K	70	IP65	IK-07	0.95	10%	85%	Glass
HPLLEDFL6060D	60W	100 lm/W	5700K±300K	70	IP65	IK-07	0.95	10%	85%	Glass
HPLLEDFL7260D	72W	100 lm/W	5700K±300K	70	IP65	IK-07	0.95	10%	85%	Glass
HPLLEDFL8060D	80W	100 lm/W	5700K±300K	70	IP65	IK-07	0.95	10%	85%	Glass
HPLLEDFL9060D	90W	100 lm/W	5700K±300K	70	IP65	IK-07	0.95	10%	85%	Glass

HPLLEDFL10060D	100W	100 lm/W	5700K±300K	70	IP65	IK-07	0.95	10%	85%	Glass
HPLLEDFL12060D	120W	100 lm/W	5700K±300K	70	IP65	IK-07	0.95	10%	85%	Glass
HPLLEDFL15060D	150W	100 lm/W	5700K±300K	70	IP65	IK-07	0.95	10%	85%	Glass

HPLLEDFL18060D	180W	100 lm/W	5700K±300K	70	IP65	IK-07	0.95	10%	85%	Glass
HPLLEDFL20060D	200W	100 lm/W	5700K±300K	70	IP65	IK-07	0.95	10%	85%	Glass
HPLLEDFL25060D	250W	100 lm/W	5700K±300K	70	IP65	IK-07	0.95	10%	85%	Glass
HPLLEDFL30060D	300W	100 lm/W	5700K±300K	70	IP65	IK-07	0.95	10%	85%	Glass
HPLLEDFL35060D	350W	100 lm/W	5700K±300K	70	IP65	IK-07	0.95	10%	85%	Glass